

HYVA DIVERTER VALVE



DIVERTER VALVE - PNEUMATIC OPERATING

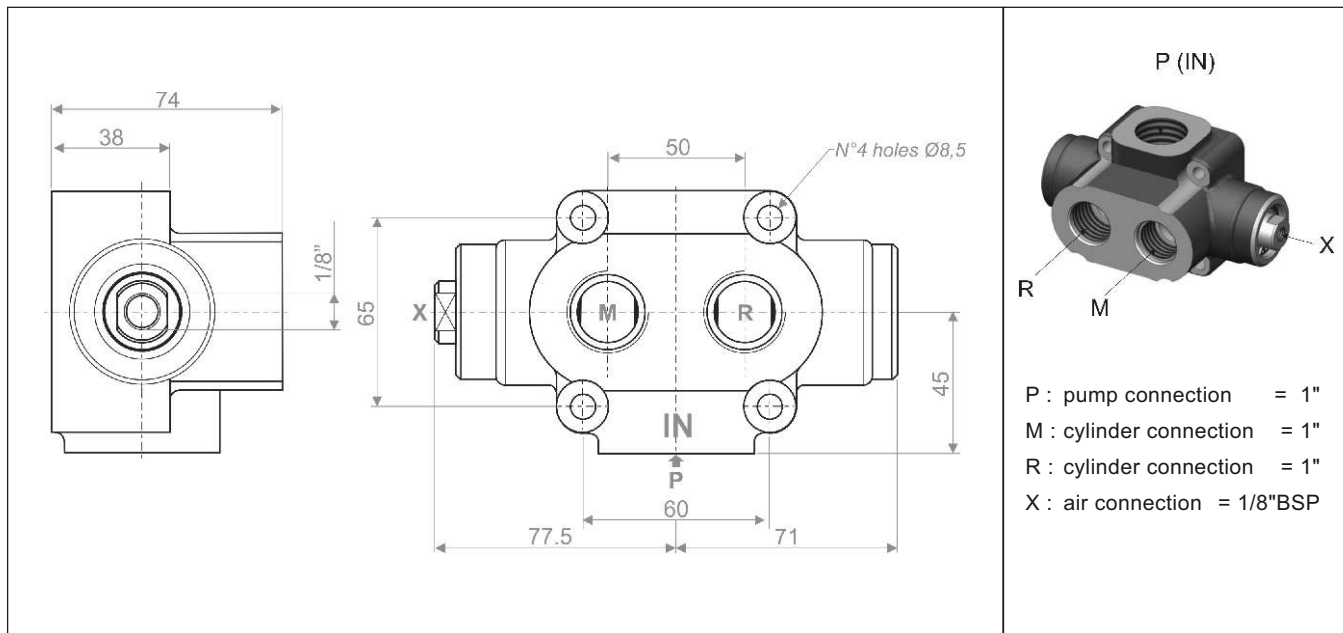
Hyva

tipping valve type:

diverter valve 1"-1" 250L-350B OC

working pressure:

350 bar



specifications

type	: Two position pneumatic controlled diverter valve 3/2 with open centre.
hydraulic connections	: G1" & G1"
max. working pressure	: 350 bar
max. peak pressure	: 400 bar
max. pneumatic pressure	: 12 bar
max. advised flow	: 250 L/min.
filtration	: ≤ 25 mm (ISO 18/13)
oil types	: mineral oil (DIN 51524 / 51525)
viscosity range	: 12 / 100 mm ² /s
temperature range	: -25 / + 80 °C
mass	: 2.5 kg

general information

- This valve has to be normally piloted without oil flow
- The work position has to be selected before operation begins
- Mount the valve according to the Hyva mounting instructions.
- Use the correct washers and adapters in the ports to prevent housing deformation.
- Do not use adapters with tapered threads.
- To further prevent deformation of the valve housing, the mounting plate surface must be completely flat and plane.
- Do not weld to the valve.
- Max. torque for bolts to mount the valve is 15 Nm.

hydraulic symbol

