

TIP CONTROL

PNEUMATIC TIP CONTROL 1 SECTION



Hyva

page # 1 / 1

type :

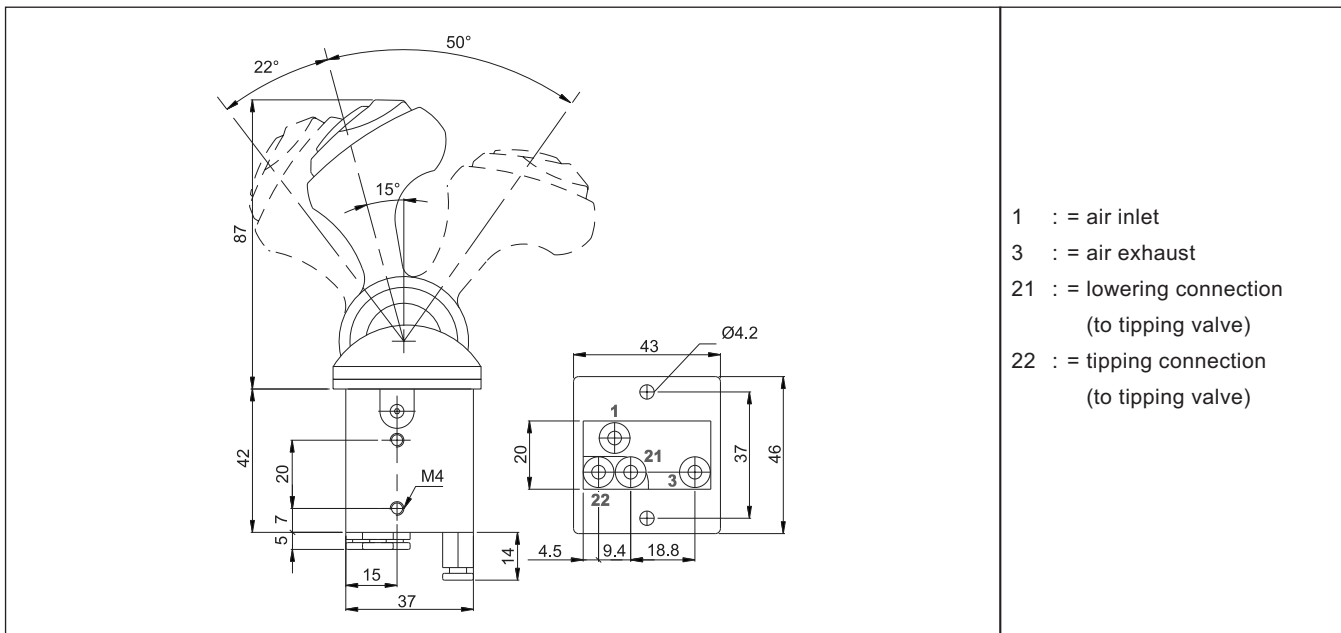
Position:

Part number:

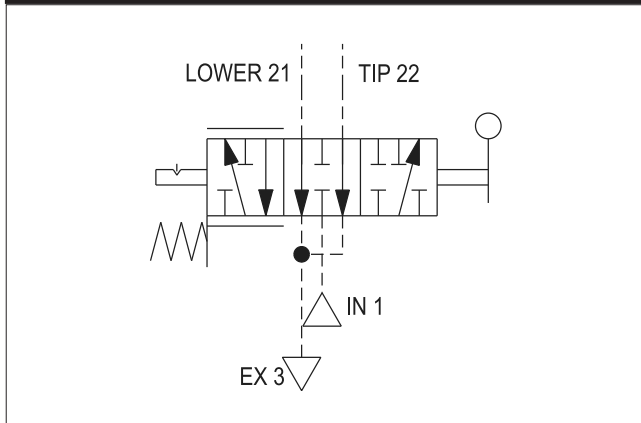
pneumatic tip control 1 section

Dashboard

147 50 668 H



Hydraulic symbol



1 section tip control range

part no.	description	qty
147 50 668 H	tip control-air-TS/LF	1

Explanation of codes:
 TS = lever has a spring return in tip position
 LF = lever is fixed in lowering end position

General Info

- When used with a compatible tipping valve with proportional lowering, the speed of descent of the body can be regulated by the proportional movement of the tip control lever.
- The functions of Hyva tip controls are clearly indicated on the type plate.

Specifications

- Max. pressure = 10 bar
- Min. pressure = 5 bar
- Connections = air hose 4 x 2.5
- Mounting holes = M4

Operative temperature

- Max. Distributor valve = + 80°
- Min. Distributor valve = - 40°
- Max. Automatic fittings = + 80°
- Min. Automatic fittings = - 20°

Extra parts

part no.	description	qty
147 50 125 K	air tube kit 4 to 6 mm	1