

HYVA SM TANK SUPPORT MOUNTING KIT



SM TANK SUPPORT MK-II

Hyva

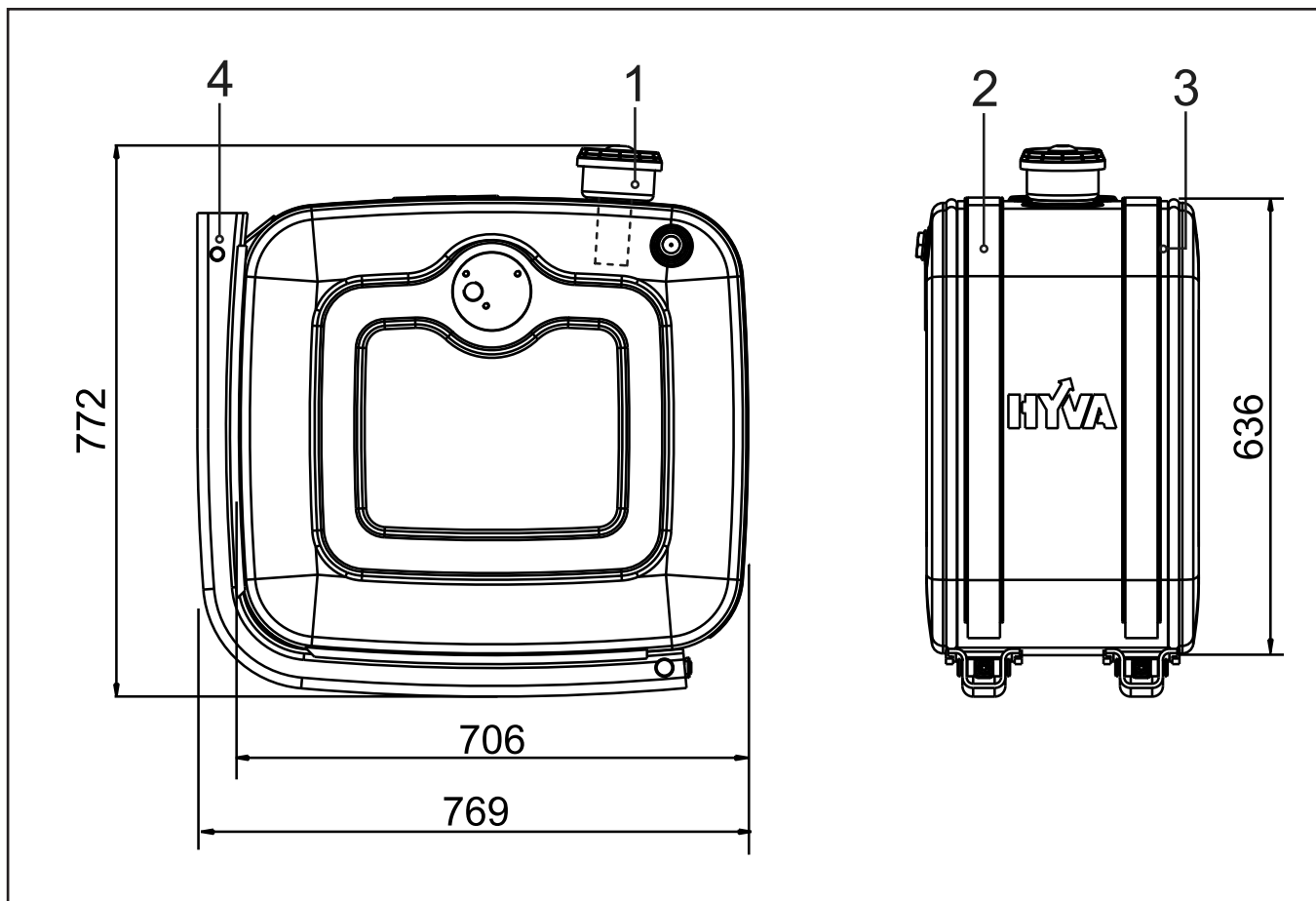
type :

SUPPORT KIT SM OIL TANK MK-II

part number :

140 20 160 & 140 20 161

Page 1 / 1



Part list 14020160

Pos.	Part no.	Description	Qty.
1	081 02 116	air breather filter	1
2	140 20 300	strap for oil tank 706x636mm	2
3	140 20 328	kit for 2 straps 706x636mm	1
4	140 20 320	tank support bracket MK-II-1H	2

Part list 14020161

Pos.	Part no.	Description	Qty.
1	081 02 116	air breather filter	1
2	140 20 300	strap for oil tank 706x636mm	2
3	140 20 328	kit for 2 straps 706x636mm	1
4	140 20 321	tank support bracket MK-II-3H	2

General information

Pay attention to the following points:

- Mount the tank according to the mounting instructions: OH-E OIL-0006.
- Replace the air breather filter twice a year.