

HYVA PISTON PUMPS



Hyva

piston pump type :

piston pump 021L-BI-3H-AXIAL

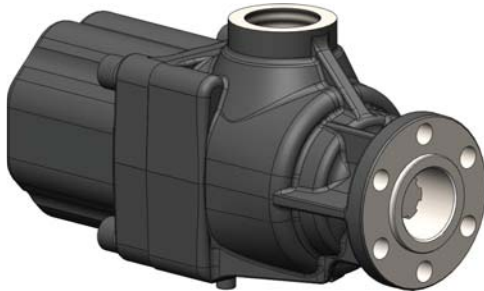
part number :

145 69 100

rotation :

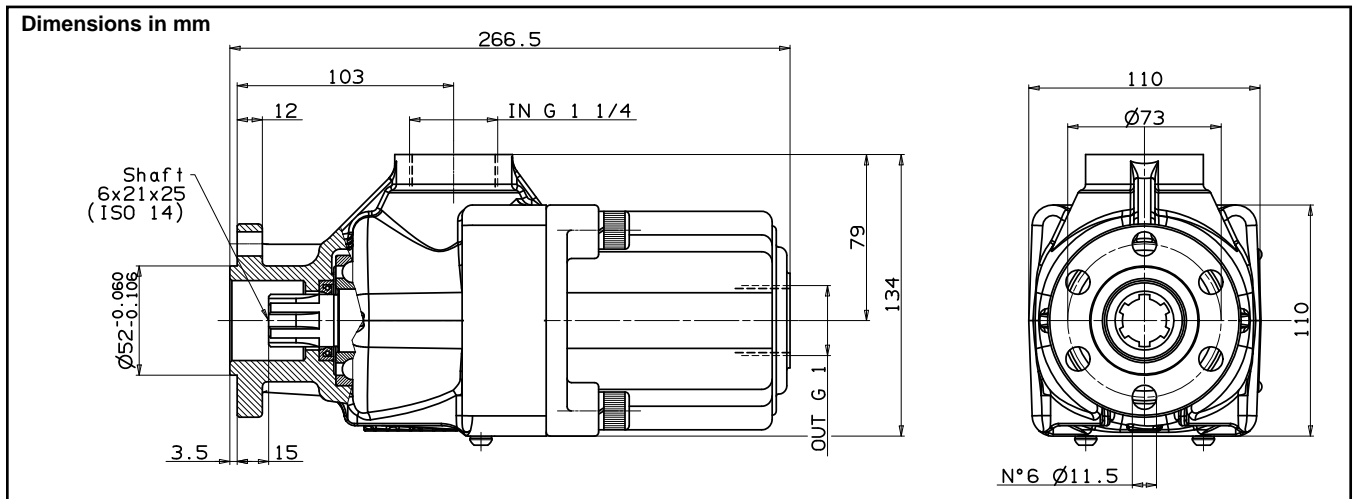
bidirectional

Page 1 / 2



| | | | | | |
|---|---|----------|--------------------------------------|-------|------|
| Fluid | Mineral or synthetic compatible with the following seals: NBR, FKM, FPM, Nylon | | | | |
| Kinematic viscosity suggested | Average ambient temp. (°C) | < -10 | -10÷10 | 10÷35 | > 35 |
| | VG (cSt = mm²/s) | 16 | 22 | 32 | 46 |
| Optimale kinematic viscosity | | | VG= 10 cSt ÷ 100 cSt | | |
| Max kinematic viscosity suggested at the start-up | | | VG= 750 cSt | | |
| Viscosity index suggested | | VI > 100 | Working temperature -15°C ÷ 100°C | | |
| Oil filtering | | | > 200 bar: 10 µm < 200 bar: 25 µm | | |
| Inlet pressure | | | 0,85 ÷ 2 bar absolut | | |
| Pump rotation | | | Bidirectional | | |

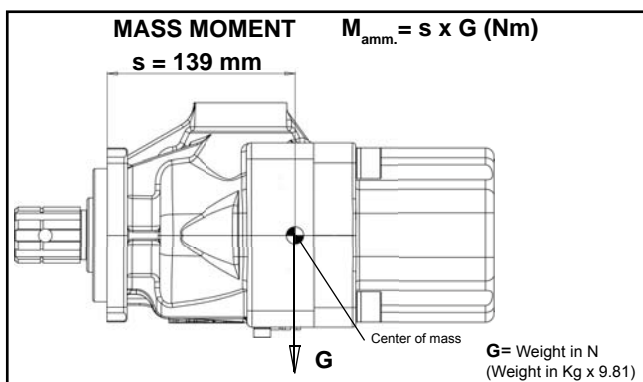
Verify that pump is, at least, 100 mm under the minimum level of the tank. Before starting the pump bleed the air.



| DISPLACEMENT | PRESSURE | | MAX. SPEED | IN ISO 228 | OUT ISO 228 | WEIGHT |
|---------------|----------|---------|------------|------------|-------------|---------|
| | P1 | P3 | | | | |
| 20,25 cm³/rev | 350 bar | 400 bar | 1800 rpm | G 1 1/4 | G 1 | 13,8 Kg |

| SEAL KIT | |
|----------|----------|
| Part.no | 02410003 |

P1 = Max. continuous pressure (100%)
P3 = Max. peak pressure (6 sec.max)



HYVA PISTON PUMPS



Hyva

piston pump type :

piston pump 021L-BI-3H-AXIAL

Page 2 / 2

part number :

145 69 100

rotation :

bidirectional

