

Fittings

Suction fittings

for series F1, F2 and T1 pumps

A 'suction fitting' consists of a straight, 45°, 90° or 135° suction fitting, 2 clamps, 2 cap screws and an O-ring.

'Straight' suction fittings

| Ordering no. | A mm | B mm | C dia. mm (in.) |
|--------------|------|------|-----------------|
| 378 0635 | 0 | 85 | 38 (1½") |
| 378 0636 | 17 | 136 | 50 (2") |
| 378 0637 | 25 | 145 | 63 (2½") |
| 378 0973 | 17 | 136 | 45 |
| 378 0974 | 17 | 136 | 48 |

45° suction fittings

| Ordering no. | A mm | B mm | C dia. mm (in.) |
|------------------------|------|------|-----------------|
| 378 1234 ¹⁾ | 60 | 104 | 32 (1¼") |
| 378 0633 ¹⁾ | 60 | 104 | 38 (1½") |
| 378 0364 ²⁾ | 67 | 110 | 50 (2") |
| 378 0634 | 75 | 117 | 63 (2½") |
| 378 1062 | 67 | 110 | 40 |
| 378 0975 | 67 | 110 | 45 |
| 378 0965 | 67 | 110 | 48 |

1) Suitable for frame size F1-25.

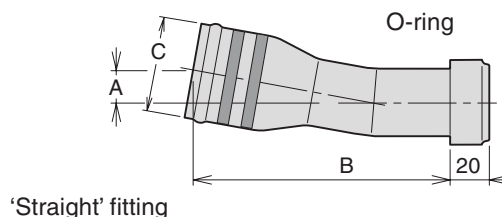
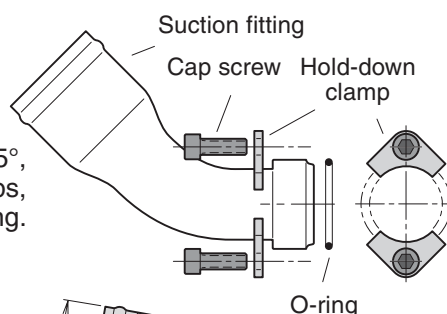
2) Suitable for pump sizes F1-41,-51,-61,-81 and -110.

90° suction fittings

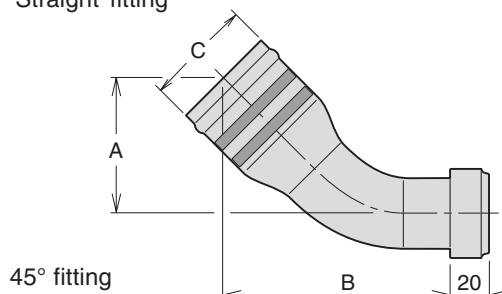
| Ordering no. | A mm | B mm | C dia. mm (in.) |
|--------------|------|------|-----------------|
| 378 0978 | 126 | 83 | 38 (1½") |
| 378 0979 | 135 | 83 | 50 (2") |
| 378 0976 | 135 | 83 | 45 |
| 378 0977 | 135 | 83 | 48 |
| 378 1980 | 147 | 103 | 63 (2½") |

135° suction fitting

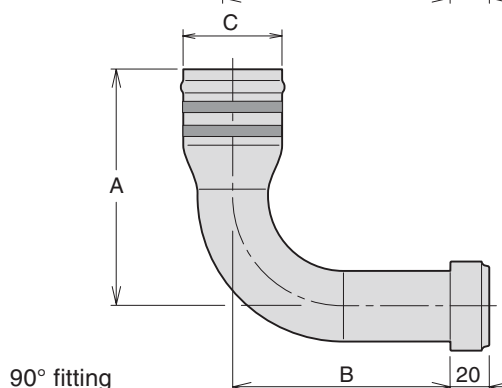
| Ordering no. | A mm | B mm | C dia. mm (in.) |
|--------------|------|------|-----------------|
| 378 1867 | 166 | 73 | 50 (2") |



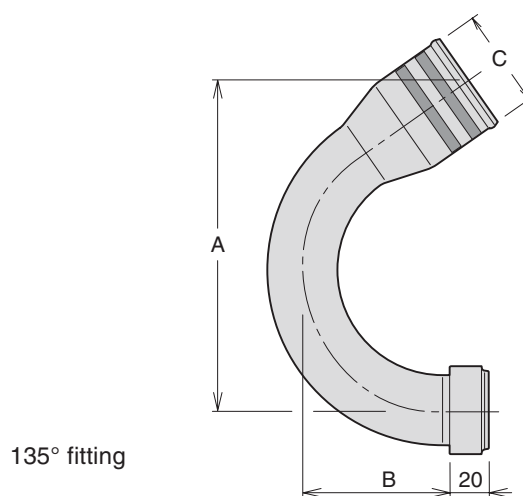
'Straight' fitting



45° fitting



90° fitting



135° fitting

NOTE: A suction fitting *must be ordered separately* (not included with the pump).

8

9

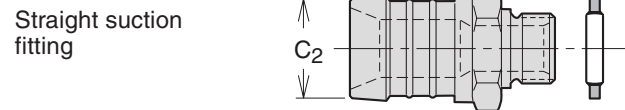
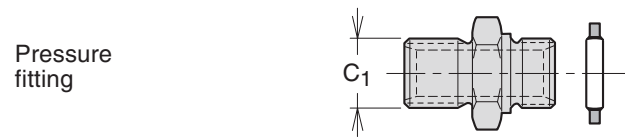
Fitting kits

for series F1 and VP1 pumps

Kits with straight suction fitting

| Pump size | Ordering no. | C ₁ | C ₂ dia. |
|------------------|-----------------|----------------|---------------------|
| F1-20/-30 | 370 4934 | BSP 1/2" | 1 1/2" |
| F1-40/-60 | 370 4935 | BSP 3/4" | 2" |
| F1-80/-110; VP1 | 370 4936 | BSP 3/4" | 2" |
| F1-80/-110; VP1* | 370 7220 | BSP 1" | 2" |

* Above 100 l/min

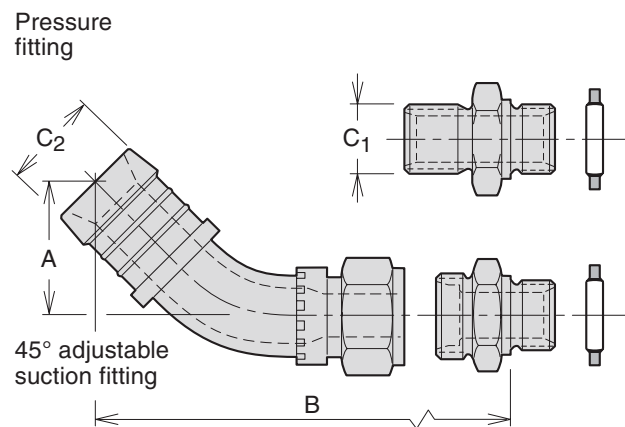


Kits with 45° suction fitting

| Pump size | Ordering no. | C ₁ | C ₂ dia. |
|------------------|-----------------|----------------|---------------------|
| F1-20/-30 | 370 9017 | BSP 1/2" | 2" |
| F1-40/-60 | 379 9564 | BSP 3/4" | 2" |
| F1-80/-110; VP1 | 379 9563 | BSP 3/4" | 2" |
| F1-80/-110; VP1* | 379 9562 | BSP 1" | 2 1/2" |

| Pump size | A | B |
|------------------|----|-----|
| F1-20/-30 | 71 | 154 |
| F1-40/-60 | " | " |
| F1-80/-110; VP1 | " | " |
| F1-80/-110; VP1* | 64 | 147 |

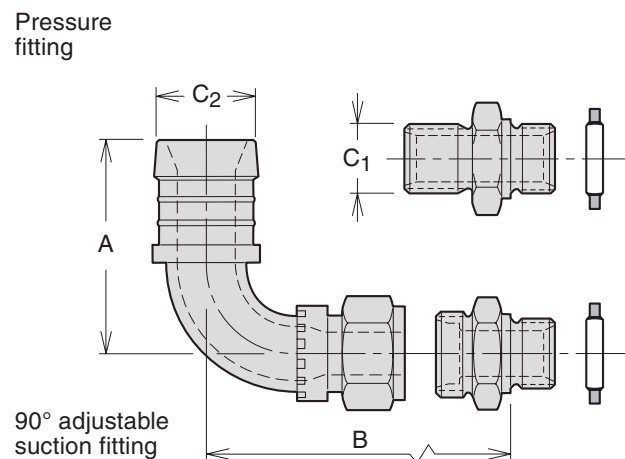
* Above 100 l/min



Kits with 90° suction fitting

| Pump size | Ordering no. | C ₁ | C ₂ dia. |
|-----------------|-----------------|----------------|---------------------|
| F1-20/-30 | 379 9915 | BSP 1/2" | 2" |
| F1-40/-60 | 379 9916 | BSP 3/4" | 2" |
| F1-80/-110; VP1 | 379 9918 | BSP 1" | 2" |

| Pump size | A | B |
|-----------------|-----|-----|
| F1-20/-30 | 144 | 128 |
| F1-40/-60 | " | " |
| F1-80/-110; VP1 | " | " |



NOTE: Each kit consists of a pressure fitting, a suction fitting, and corresponding seal washers.