

AIR CONTROL



PROPORTIONAL AIR CONTROL MULTI SECTION

Hyva

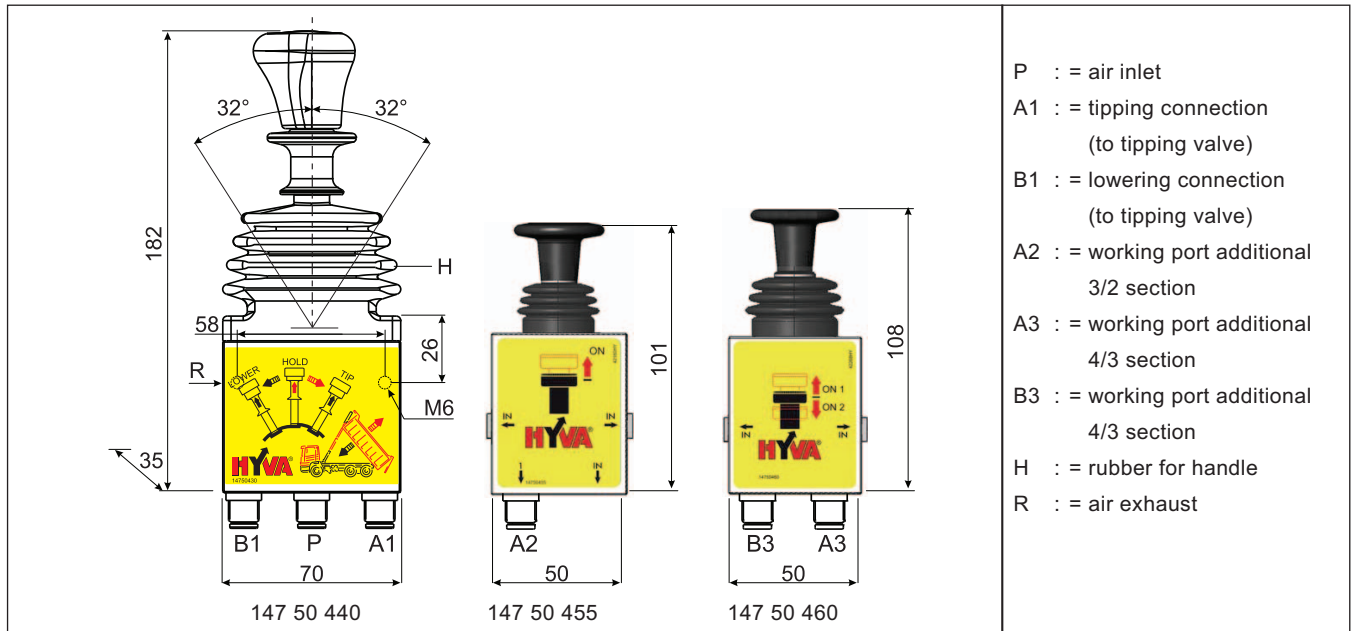
type :

proportional air control
with optional additional sections

page # 1 / 2

part number

147 50 440



P : = air inlet
A1 : = tipping connection
(to tipping valve)
B1 : = lowering connection
(to tipping valve)
A2 : = working port additional
3/2 section
A3 : = working port additional
4/3 section
B3 : = working port additional
4/3 section
H : = rubber for handle
R : = air exhaust

General Info

This multi section air control is designed for applications where several functions should be controlled. The main section 147 50 440 is a double acting control and can be used where two side movements should be controlled (like tipping valves, main cylinders of hook- or skip loaders, etc.).

The extra section 147 50 460 is a double acting NOT proportional control and can be used where two side movements should be controlled on/off (like multikap, side doors, etc.) The section is two side spring return.

The extra section 147 50 455 is a single acting NOT proportional control and can be used where one side movement should be controlled on/off (like PTO, selector valve, etc.) The section locks in the end position.

mounting instructions

1. Connect the air control according the pneumatic scheme.
2. For trouble free life of the pneumatic system there should be worked with "dry" air.
3. Ensure that air tubes are:
 - Not too close to sharp objects
 - Clear from moving parts
 - Clear from exhaust and compressor lines
 - Not get kinked
 - Not too long
4. Main section has two M6 holes (10 deep) at 58 mm distance to fit the air control in the cabin.
5. exhaust without air tube into cabin.

note: The air supply must always be taken from an accessory air tank or auxiliary valve and the pneumatic system must be protected with a charging valve.
(see guide - lines from truck manufacturer)
For operation of the air control see the Hyva 'operation and maintenance instructions.'

part numbers

part no.	description	qty
147 50 440	air control - MS-TS/LF	1
147 50 455	additional 3/2 section	1
147 50 460	additional 4/3 section	1

Mounting kit parts

147 50 511	mounting kit 1 section	1
147 50 512	mounting kit 2 sections	1
147 50 513	mounting kit 3 sections	1

specifications

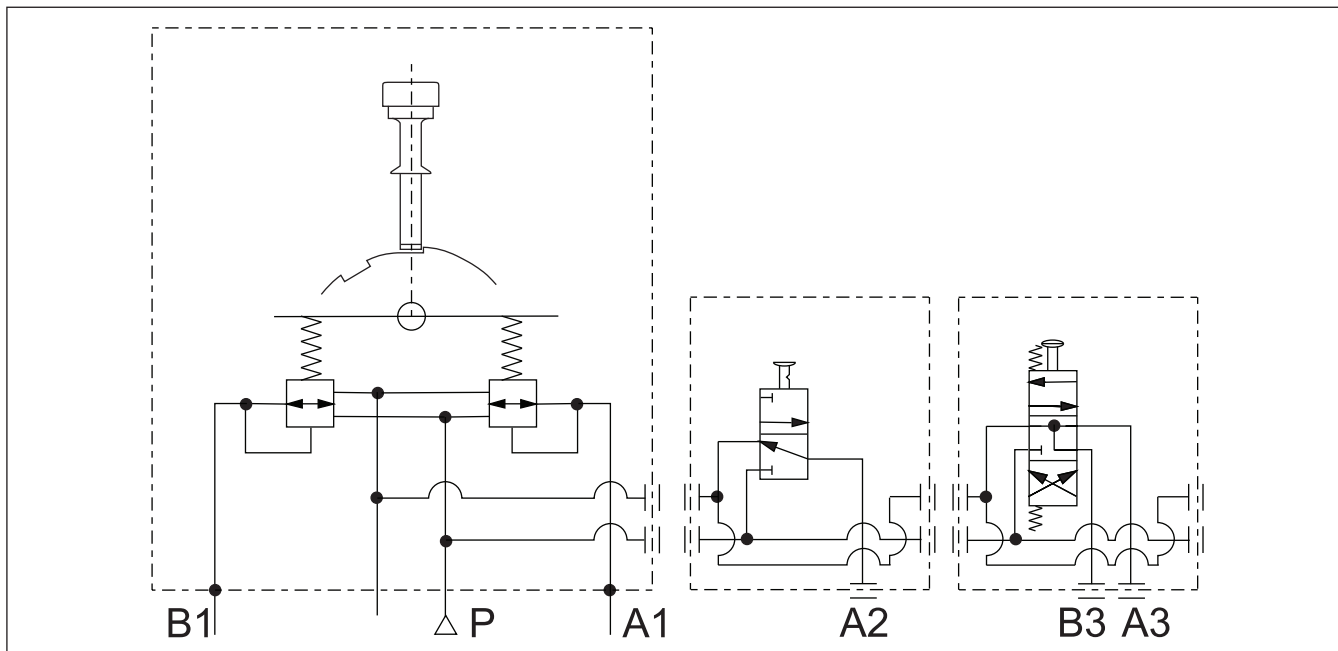
- Max. pressure = 12 bar
- Min. pressure = 5 bar
- Max. temperature = + 80°
- Min temperature = - 30°
- The pneumatic connections provided in the box are suitable for 6 mm air hoses.

AIR CONTROL

PROPORTIONAL AIR CONTROL MULTI SECTION



Hyva type : proportional air control
 page # 2 / 2 part number 147 50 440
 with optional additional sections



Assembly instruction

- Remove allen screws M5 from all sections except the last one in the row to open the P-line (use 2,5 mm hexagon key).
- Fit the O-ring (to seal the P-connection between the sections) in the extra sections.
- Fit all the sections and tighten bolts.
- Not interchangeable with H-series



Mounting surface for extra section

Connection points

