

HYVA PISTON PUMPS



BENT AXIS TYPE

Hyva

piston pump type : piston pump 034L-RH-4H-BAHP-3/4-1

part number : 145 69 020

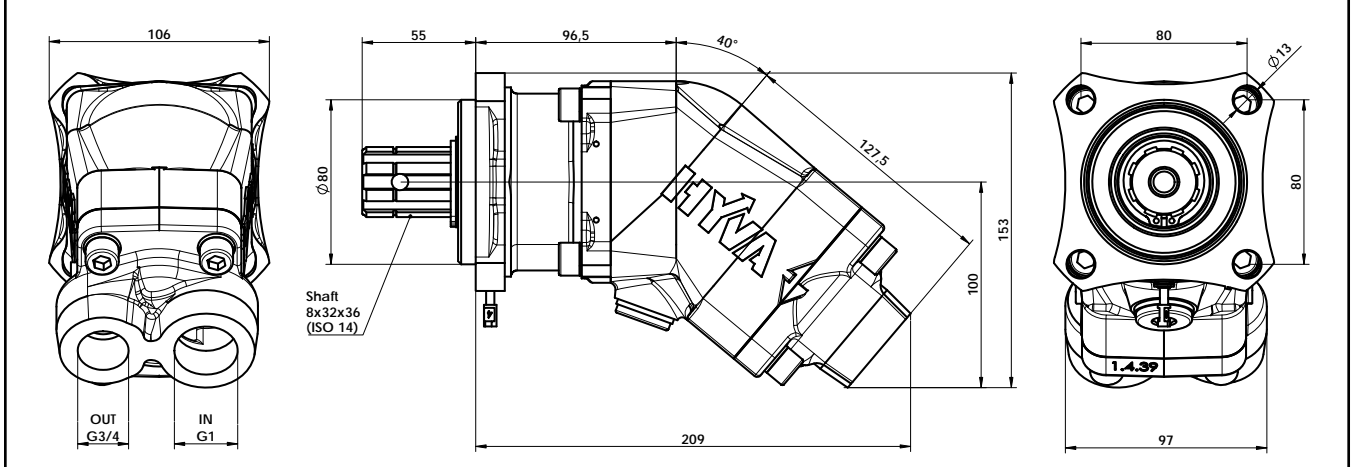
Page 1 / 2

rotation : clock wise seen from front side of pump



| | | | | | |
|--|---|---------------------|--------------------------------------|---------------|------|
| Fluid | Mineral or synthetic compatible with the following seals: HNBR | | | | |
| Kinematic viscosity suggested | Average ambient temp. (°C) | < -40 | -40+10 | 10+35 | > 35 |
| | VG (cSt = mm²/s) | 16 | 22 | 32 | 46 |
| Optimale kinematic viscosity | | | VG= 10 cSt + 100 cSt | | |
| Max kinematic viscosity suggested at the start-up | | | VG= 750 cSt | | |
| Viscosity index suggested | VI > 100 | Working temperature | | -40°C + 140°C | |
| Oil filtering | | | > 200 bar: 10 µm < 200 bar: 25 µm | | |
| Inlet pressure | | | 0,85 ± 2 bar absolut | | |
| Pump rotation | | | Right | | |
| Verify that pump is, at least, 100 mm under the minimum level of the tank. Before starting the pump bleed the air. | | | | | |

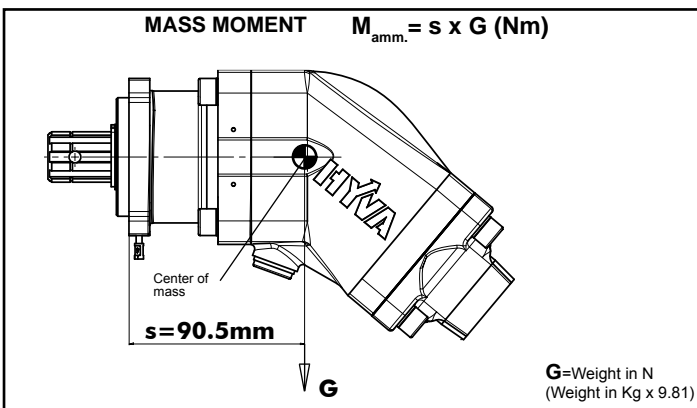
Dimensions in mm



| DISPLACEMENT | PRESSURE | | SPEED | | | MIN. SPEED | IN ISO 228 | OUT ISO 228 | WEIGHT |
|---------------|----------|---------|----------|----------|----------|------------|------------|-------------|--------|
| | P1 | P3 | V1 | V2 | V3 | | | | |
| 33,80 cm³/rev | 350 bar | 400 bar | 3000 rpm | 2300 rpm | 3000 rpm | 300 rpm | G 1 | G 3/4 | 8,7 Kg |

P1 = Max. continuous pressure (100%)
P3 = Max. peak pressure (6 sec.max)

V1 = Max. continuous speed without load
V2 = Max. continuous speed
V3 = Max. intermittent speed



WARNING

Remove the protection plug and install the leakage system fitting.



WARNING: if oil leaks through the transparent tube the pump should be replaced immediately to avoid gearbox damage.

SEAL KIT

Part.no **02410020**

HYVA PISTON PUMPS



BENT AXIS TYPE

Hyva

piston pump type :

piston pump 034L-RH-4H-BAHP-3/4-1

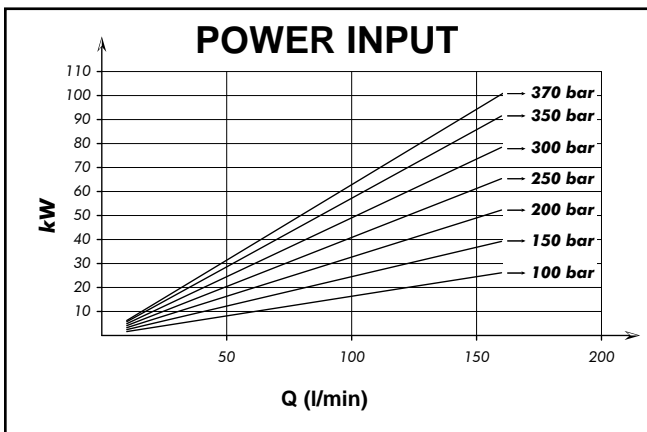
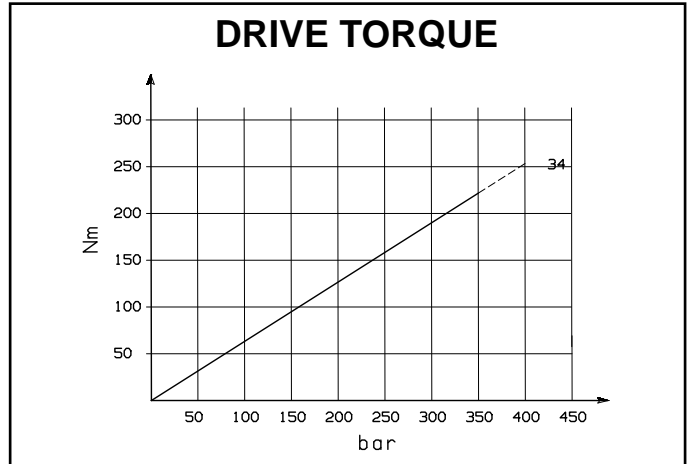
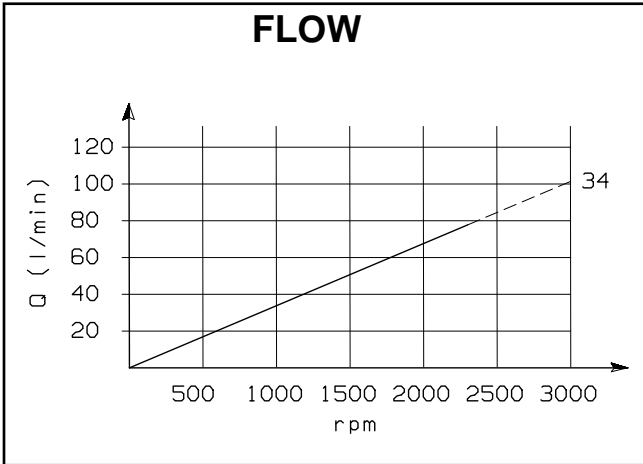
part number :

145 69 020

Page 2 / 2

rotation :

clock wise seen from front side of pump



| suction hose | LP 20 | LP 24 | LP 28 | LP 32 |
|--------------|----------|----------|----------|----------|
| flow [lpm] | 60 | 60-85 | 60-120 | 120-150 |
| pump size | max. rpm | max. rpm | max. rpm | max. rpm |
| 25 | 2300 | | | |
| 34 | 1700 | 2400 | | |
| 40 | 1400 | 2100 | | |
| 47 | | 1700 | 2400 | |
| 64 | | 1300 | 1700 | 2300 |
| 80 | | | 1400 | 1800 |
| 84 | | | 1300 | 1700 |
| 96 | | | | 1500 |
| 108 | | | | 1400 |
| 130 | | | | 1100 |